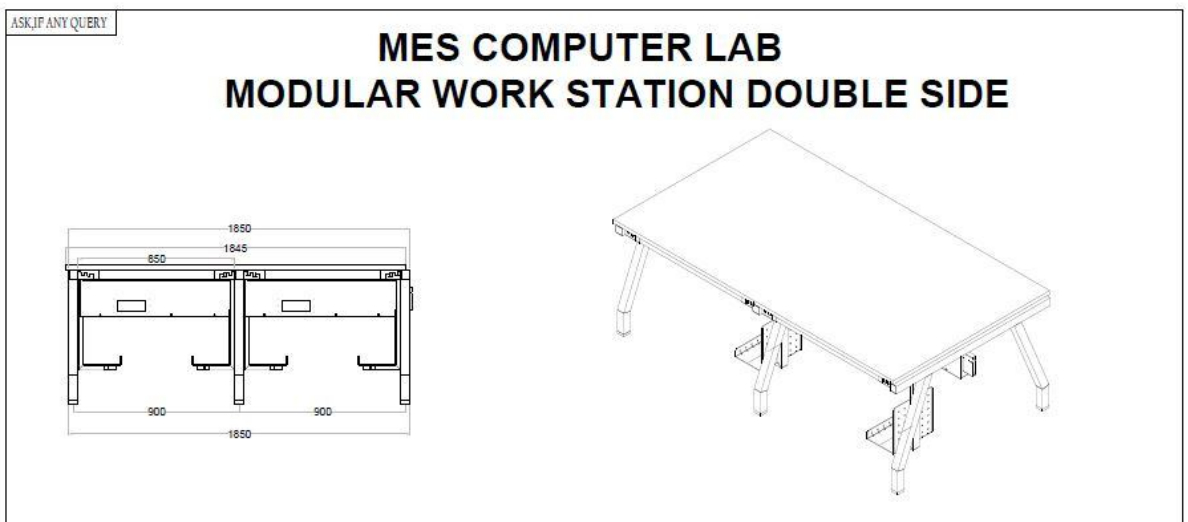
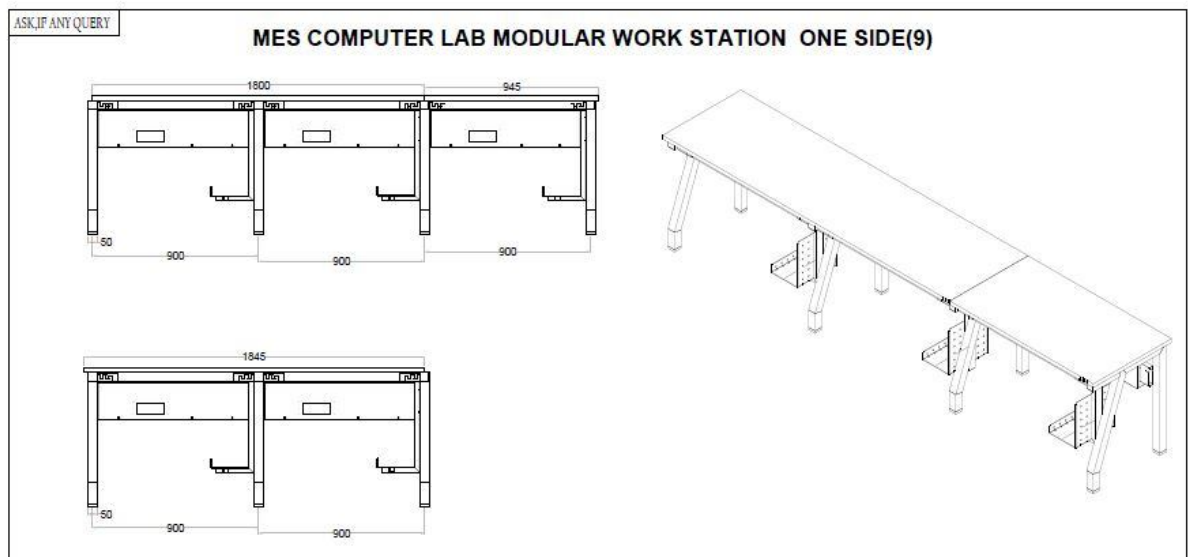


COMPUTER WORK STATION

1. Double side Work Station for 16 Users (**2 No's**)
2. One side work Station for 19 Users (**2 No's**)

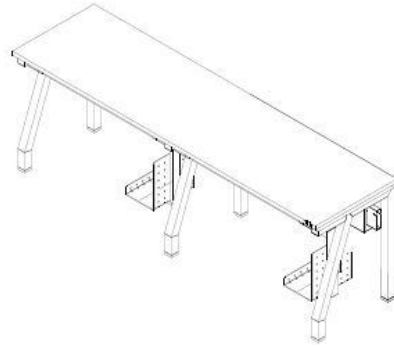
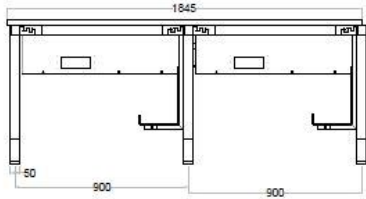
(Both 35 Users)

- The Work Station consists of 900X600mm Using space for One User
- Top Fabricated from 25mm Laminated Ply Wood with 2mm Edge Band
- Legs are fabricated from 50X50X1.2mm and 50X25X1.2 GP Tube Side Frame
- Each Table will have 5A 250V 3 Pin Plug and Switch Provided
- CPU Stand and Duct will Provided Separate Provision
- Powder coated finish



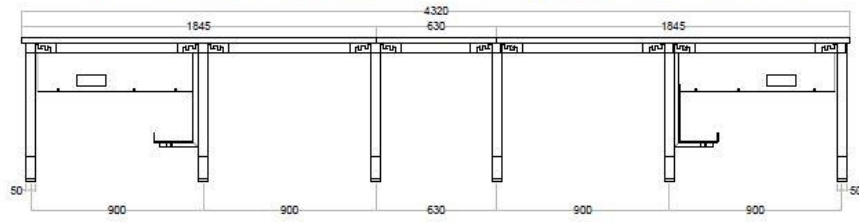
ASK,IF ANY QUERY

MES COMPUTER LAB MODULAR WORK STATION ONE SIDE(8)



ASK,IF ANY QUERY

MES COMPUTER LAB MODULAR WORK STATION ONE SIDE(MID)



3 SEATER DESK & BENCH (WOODEN TOP) 500 No's

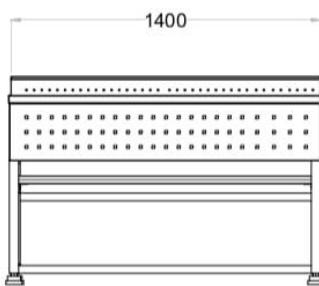
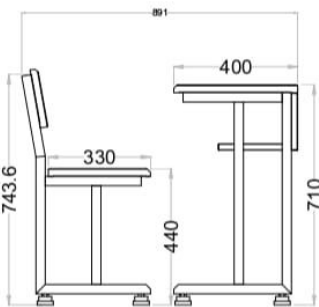
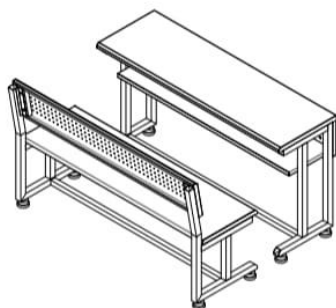
Overall size: 1400L X 400W X 710H

- Top fabricated from 18mm Rub wood with Double Side Double coat Polished
- Legs fabricated from 30X30X1.2mm GP Tube
- Stiffeners are used for additional strength
- Front Fascia and Book Shelf (1.00mm GP Sheet) available
- Powder coated finish

ASKJFANY QUERY

3C-3S-001(30x30 SQ TUBE)

DATE : / /

QTY :

WO NO :

ACCESSORIES AND FASTNERS USED						MATERIALS REQUIRED				3C	3S	001
SL NO	DESCRIPTION	MODEL	SIZE	QTY	STOCK	BALANCE	SL NO	DESCRIPTION	QTY	UNIT	CUSTOMER: HYDENSO	
1	M12 THREADED BUSH			4 Nos			1	30 X 30 SQ TUBE	1.2	7200 mm	PRODUCT: 3 SEATER KG (SQ TUBE)	
2	M12 NUT			4 Nos			2	25 X 25 SQ TUBE	0.8	4500 mm	APPVD:	
3	M8 HEX BOLT		10/12 mm	5 Nos			3	1.2mm GP SHEET		Sqft	DWG NO:	
4	M8 NUT			5 Nos			4	1mm GP SHEET		Sqft	REV NO: 0	
5	M8 HEX BOLT		15 mm	12 Nos			5	1.5mm GP SHEET		Sqft	SCALE 1:1	WEIGHT:
6	M8 NUT			12 Nos							SHEET 1 of 3	

DISPLAY SHELF (24 No's)

Overall size: 2230H X 1200W X 350B

- Full body fabricated 0.8mm GP Sheet
- Shelf fabricated from 0.8mm GP Sheet
- Two Glass Door Available(vertical)
- 4 Wheel available for shelf moving
- Powder Coated Finish

